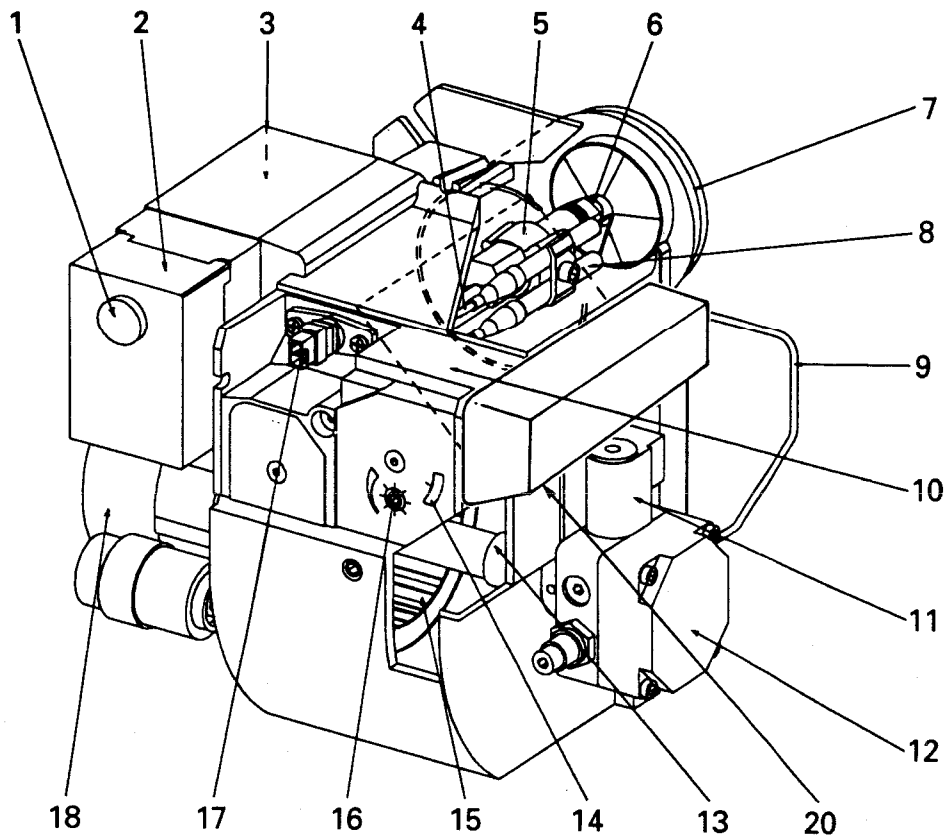


STERLING BURNER AS USED ON WALL MOUNTED EUROSTAR.



Components

- | | | |
|------------------------|-----------------------|---------------------------|
| 1 Reset button | 7 Combustion head | 14 Indication, air damper |
| 2 Control box | 8 Ignition electrodes | 15 Fan wheel |
| 3 Ignition transformer | 9 Connecting pipe | 16 Adjustment, air damper |
| 4 Ignition cables | 10 Air damper | 17 Photoresistor |
| 5 Nozzle assembly | 11 Solenoid valve | 18 Motor |
| 6 Nozzle | 12 Pump | 20 Air intake (Bal. Flue) |
| | 13 Drive coupling | |

FIG. 12 ELECTRO OIL STERLING BURNER

BURNER SETTINGS

Boiler	Electro Oil Burner Model	Comb. Head	Danfoss Nozzle USG/H	Pump Pressure P.S.I.	Firing Rate ml/min	Air Setting	CO ₂ %	Smoke No.	Flue Gas Temp. °C
50,000	Sterling 40	6721-510 with back plate	0.50 80-EH	110	28.2	BF	11.0	0	200
						4.5			
60,000	Sterling 40	6721-510 with back plate	0.60 80-EH	110	33.8	8	11.5	0	200
70,000	Sterling 40	6721-510 with back plate	0.65 80-EH	120	39	11	11.5	0	225