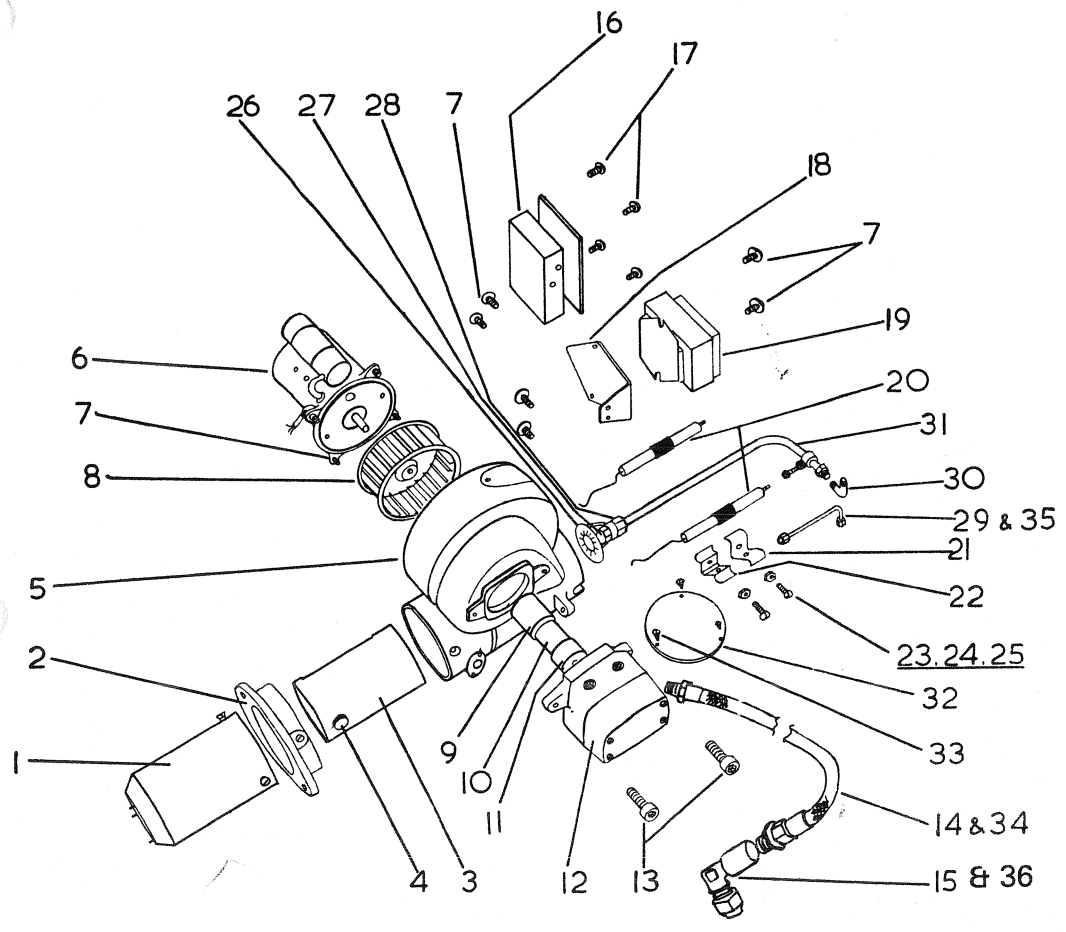


CENTRAJET

SELECTOS



SEE SEPERATE DIAGRAM FOR OIL PIPE WITH SOLENOID VALVE ASSEMBLIES

BURNER ASSEMBLY

| No. | COMPONENT | Redfyre Part No. | | Key No. | COMPONENT | Redfyre Part No. | |
|-----|--|------------------|-------|---------|---|------------------|-------|
| | | 18/28 | 35/39 | | | 18/28 | 35/39 |
| | Draught Tube Assembly | 25073 | 25106 | 20 | Ignition Electrode | 25083 | 25083 |
| | Mounting flange | — | — | 21 | Electrode Clamp — top | — | — |
| | Air Control Slide | 25080 | 25080 | 22 | Electrode Clamp — Bottom | — | — |
| | Air Control Knob | — | — | 23 | Screw. Cheese head. | — | — |
| | Fan Housing | — | — | | 5 mm. dia. x 0.8 mm. pitch x 20mm. lg. | — | — |
| | Motor | 25074 | 25074 | 24 | Nut. 5 mm. dia x 0.8 mm. pitch | — | — |
| | Screw. Pan head head 6 mm. dia. x 1 mm. pitch x 16 mm. lg. | — | — | 25 | Washer. 5 mm. shakeproof | — | — |
| | Fan — Torrington AA 408-202 | 25090 | 25090 | 26 | Flame Stabiliser | 25082 | 25161 |
| | Smiths S425-200 ACW | 25091 | 25091 | 27 | Nozzle 0.75 U.S.Gall/h | 25059 | 25096 |
| | Coupling — Motor Dog | 25087 | 25087 | | 0.65 U.S.Gall/h | 25058 | 25095 |
| | Coupling — Rubber Tube — Minimaster Pumps | 25088 | 25088 | | 1.00 U.S.Gall/h | 25060 | 25097 |
| | Sundstrand Pumps | 25144 | 25144 | | 1.2 U.S.Gall/h | 25107 | 25115 |
| | Coupling — Pump Dog | 25089 | 25089 | | 1.35 U.S.Gall/h | 25108 | 25116 |
| | Oil Pump — Minimaster Type V | 25078 | 25078 | 28 | Nozzle Holder | 25081 | 25081 |
| | Sundstrand A2L | 25135 | 25135 | 29 | Oil Pipe Assembly — Minimaster Pump | 25077 | 25077 |
| | Screw Allen socket head. 8mm. dia. x 1.25 mm. pitch x 20 mm. lg. | — | — | 30 | 1/8" BSP x 1/8" BSP Female Elbow | — | — |
| | Flexible Oil Line — Minimaster Pump | 25079 | 25079 | 31 | Nozzle Oil Tube and Adjustment Assembly | — | — |
| | Flare Fitting and Elbow | 99215 | 99215 | 32 | Inspection Window | 25076 | 25076 |
| | Electrical Connections Box | — | — | 33 | Screw. Pan head. 4 mm. dia. x 0.7 mm. pitch x 8 mm. lg. | — | — |
| | Screw. Round head 3/16" BSW x 1/4" lg. | — | — | 34 | Flexible Oil Line — Sundstrand | 25152 | 25152 |
| | Transformer Mounting Bracket | — | — | 35 | Oil Pipe Assembly — Sundstrand Pump | — | — |
| | Transformer Danfoss 52L0003 | 25084 | 25084 | | See diagram of Solenoid Valve arrangements. | — | — |
| | Parmeko P726000 | 25085 | 25085 | 36 | Elbow 1/2" BSF Double Female | 99234 | 99234 |
| | Savage 23A10 | 25086 | 25086 | | | | |

SECTION N