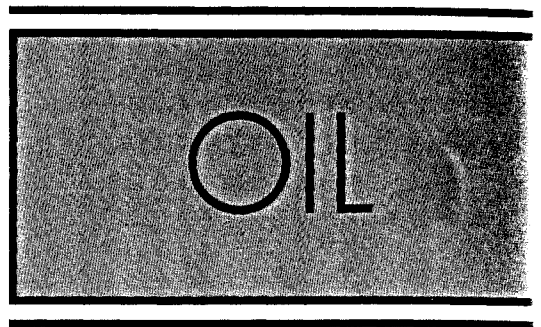
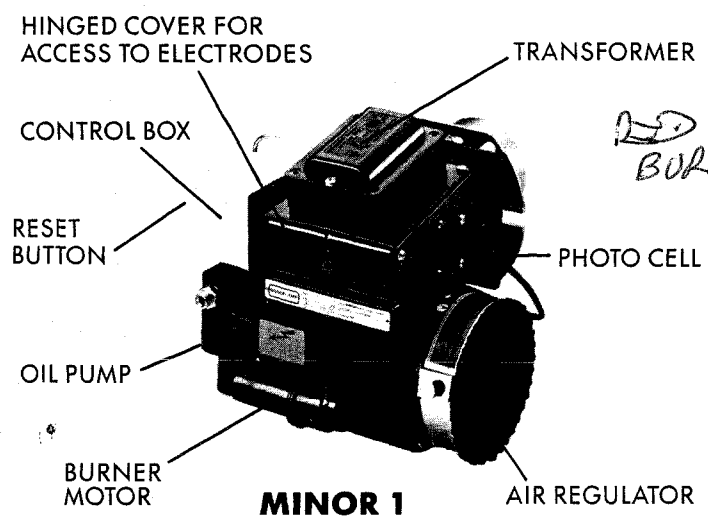


Trianco

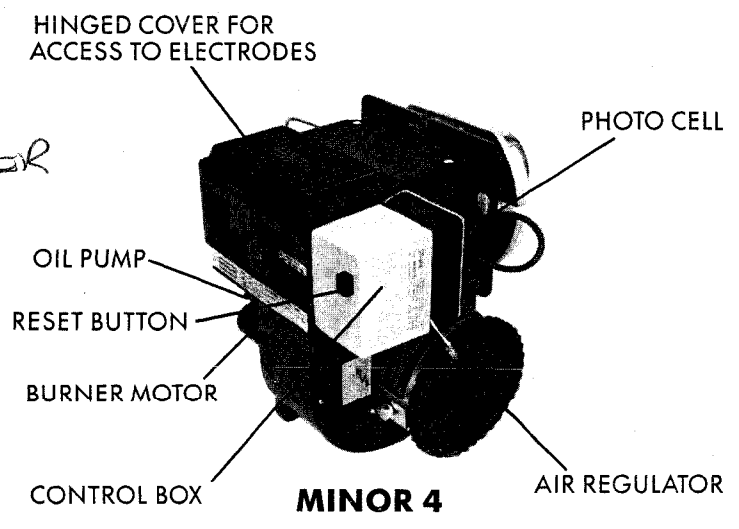


MONO FLAME BURNER TRO MK3 CONVENTIONAL FLUE

BURNER DETAILS

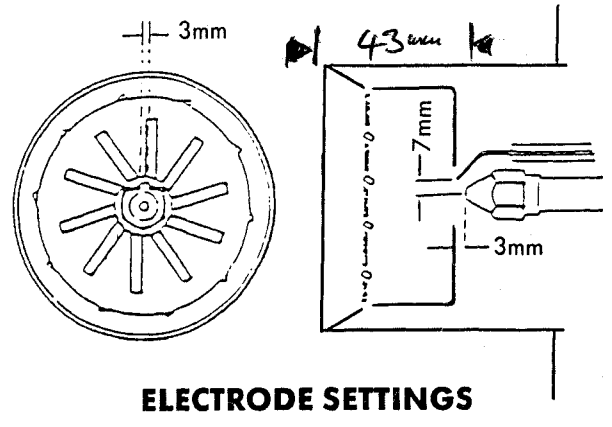
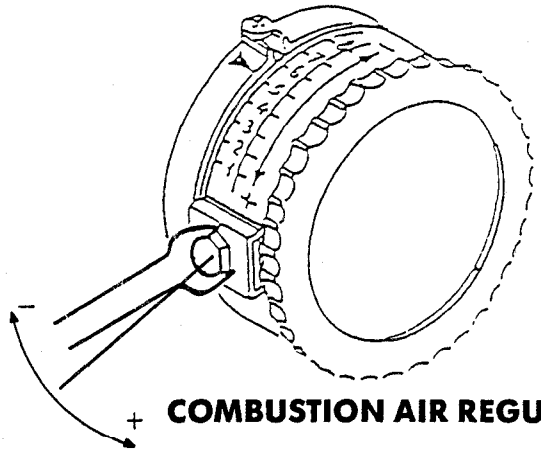


BURNER



TECHNICAL DETAILS

BOILER	BURNER	COMB. HEAD	DANFOSS NOZZLE USG/h	OIL PRESSURE psi	FIRING RATE ml/min	AIR SETTING	CO ² %	SMOKE
12/14 BH	Minor 1	LR1	0.5×60°S	100 120	30	3	11.0	0
15/19 BH	Minor 1	LR2	0.6×80°S	120	41	4	11.0	0
20/25 BH	Minor 1	LR4	0.75×80°S	140	53	5	11.5	0
28/32 BH	Minor 4	LR3/1	1.00×80°H	140	67	5	11.5	0



Inianco

OIL

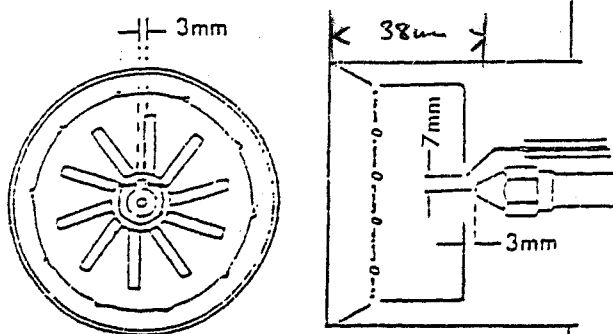
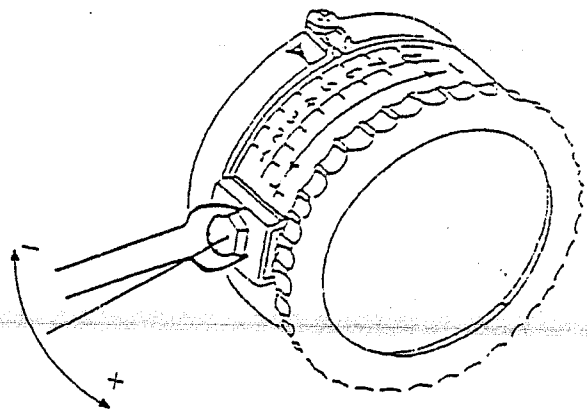
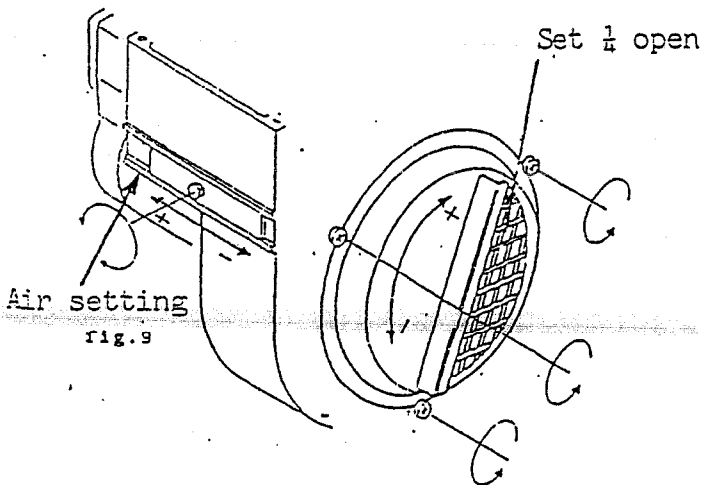
TRO MONOFLAME BURNERS

BURNER DETAILS

TECHNICAL DETAILS

BOILER	BURNER	COMB. HEAD	DANFOSS NOZZLE USG/h	OIL PRESSURE psi	FIRING RATE ml/min	AIR SETTING	CO ² %	SMOKE
TRO 37/45 EH & KM	MINOR 8	BASE HEAD	1.25 x 60°S	160	90	5	11.0	0
TRO 50/73 EH & KM	MINOR 12	BASE HEAD	2.25 x 60°S	150	150	6	11.5	0
TRO 80/95	MINOR 20	BASE HEAD	2.5 x 60°S	170	185	2	11.0	0
TRO 102/ 117	MINOR 20	BASE HEAD	3.00 x 60°S	170	240	3	11.0	0

RED IN COLOUR



HEAD SETTINGS.
NOZZLE 38mm
(full pack)