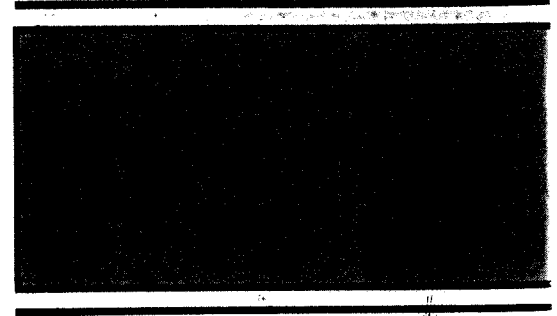


Trianco



NU-WAY BURNERS BOILERS TRO Mk.II 12/14, 15/19, 20/25 & 28/32

Boiler Model	Rated kW	Output Btu/h.	Nu-Way Burner	Diffuser Type	Draught Tube Holes mm	Fan Size / mm
12/14	14	48,000	Boxer 'A'	A	10x3	133x62
15/19	19	65,000	Boxer 'B'	B/C	10x5	133x62
20/25	25	85,000	Boxer 'C'	B/C	10x6	133x62
28/32	32	110,000	NOL.2 (S)	Deep cup	N/A	133x62

Boiler Model	Nozzle Danfoss USG/H	Pump Pressure p.s.i.	Kerosene Firing Rate ml/min.	Nom. Air Band Setting	CO ₂ %
12/14	0.40	80°H	160	2.5	11.0
15/19	0.55	80°H	160	7.0	11.0
20/25	0.65	80°H	160	5.5	11.0
28/32	1.00	60°S	115	3.5	11.0

PUMP PRESSURE ADJUSTMENT

The oil pressure is factory set to pressure indicated in the above table.

If adjustment is required turn screw (4) clockwise to increase pressure and anti-clockwise to reduce.

Note: Insert plug into Suction port when using a 2 pipe system.

AIR ADJUSTMENT

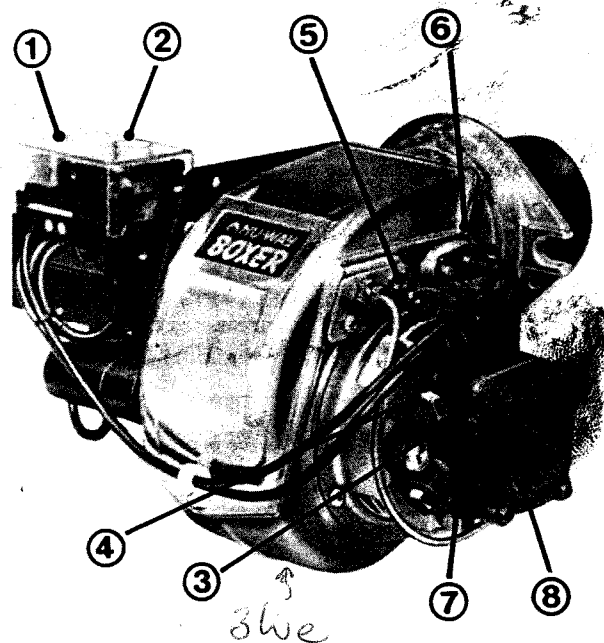
A nominal air band setting is indicated in the above table for initial firing. Slight adjustment should be made if necessary to obtain the optimum combustion readings:-

Smoke 0 - 1 CO₂ of 11%

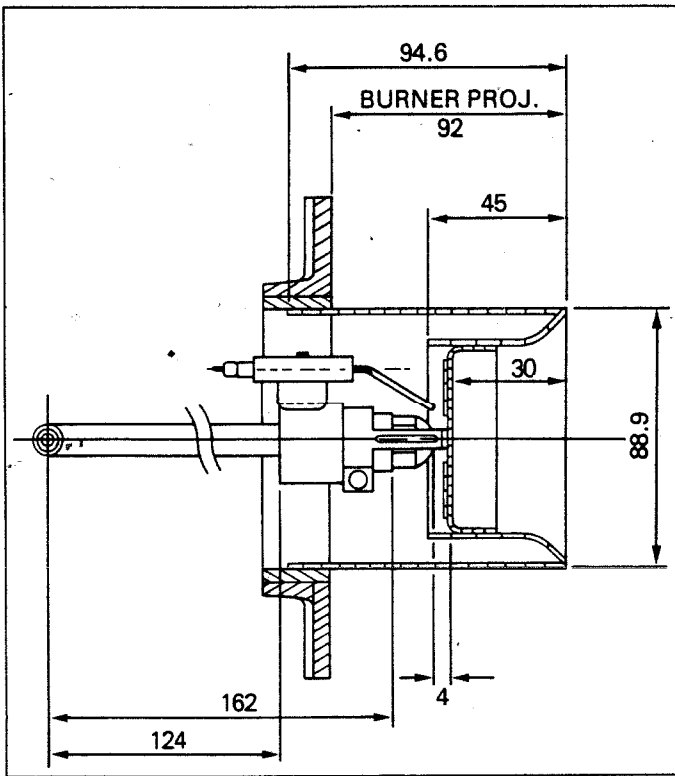
COMBUSTION HEAD

The combustion head is factory set and should not be altered.

NU-WAY "BOXER" AND NOL 2(S) BURNERS

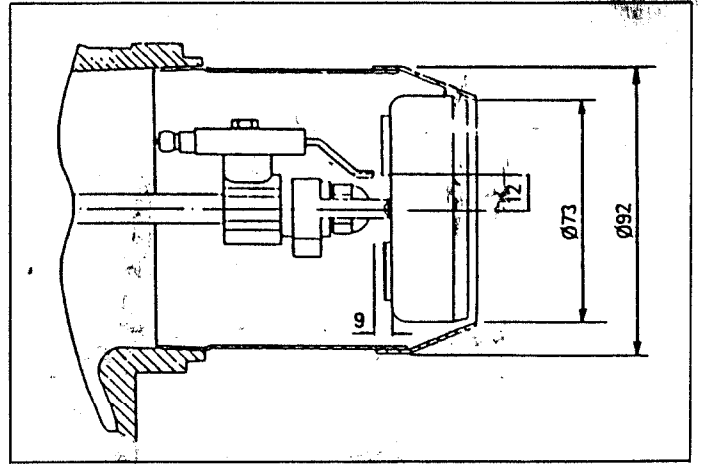


1. Control Box
2. Reset Button and Lock-Out Light
3. Pressure Gauge Port
4. Pressure Adjusting Screw
5. Air Band Locking Screw
6. Photocell
7. Return Port for 2 pipe system
8. Suction Port

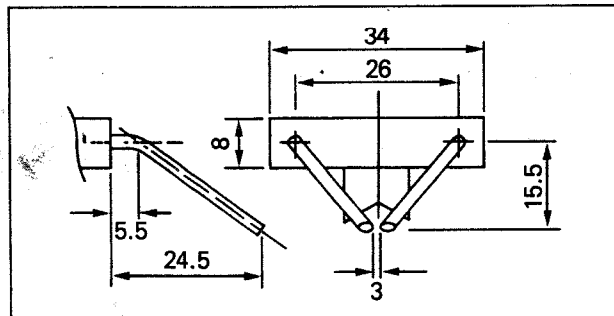


COMBUSTION HEAD 'BOXER' BURNER

The head arrangement is factory set and is designed as fixed. No adjustments should therefore be necessary. Dimensions are in millimetres.

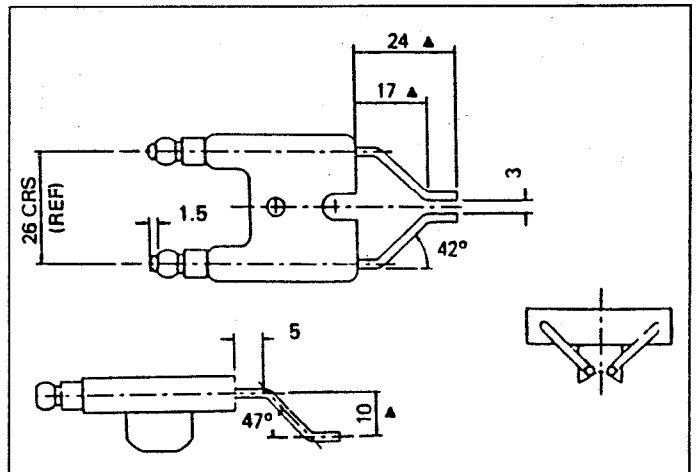


COMBUSTION HEAD 'NOL' BURNER



NU-WAY 'BOXER' BURNER

Electrodes should be set to these dimensions to ensure trouble free ignition. Dimensions are in millimetres.



'NOL' BURNER

Electrodes should be set to these dimensions to ensure trouble free ignition. Dimensions are in millimetres.

