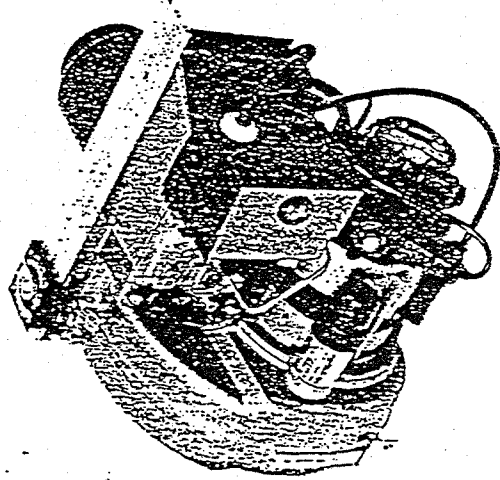


Timaco

OIL

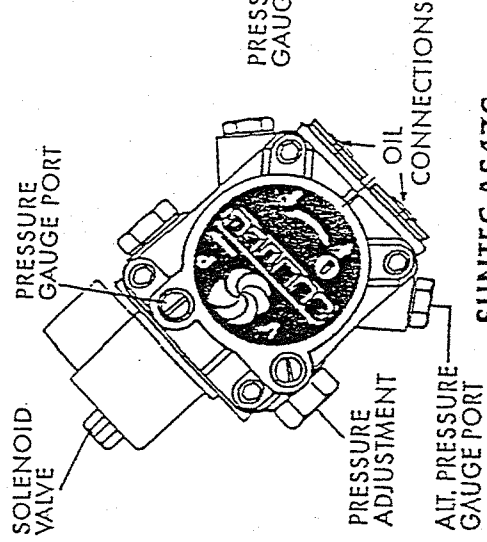
ELECTRO OIL INTER 2011 OIL BURNER TRO MK3 CONVENTIONAL FLUE

BURNER DETAILS

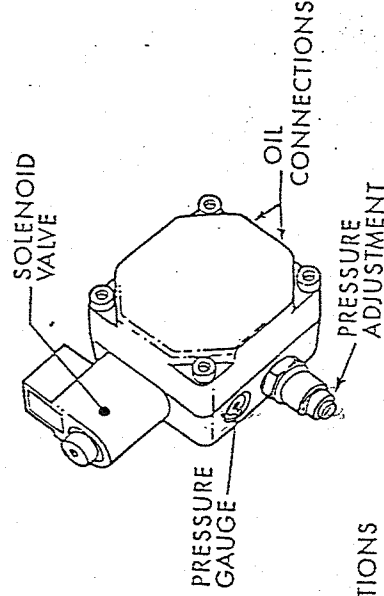


TECHNICAL DETAILS

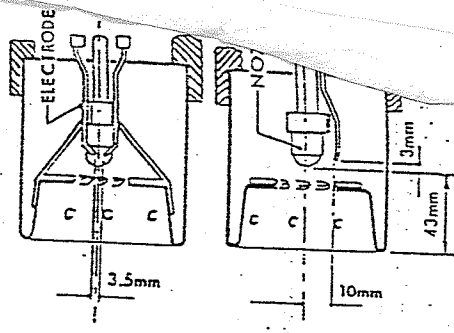
BOILER	BURNER	COMB. HEAD	DANFOSS NOZZLE USG/h	OIL PRESSURE psi	FIRING RATE ml/min	AIR SETTING	CO ² %	SMOKE
TRO 12/14	Inter 2011	PL6/7/16/8	0.5x80°H	110	30	6	11.0	0
TRO 15/19	Inter 2011	PL10/5/19/10	0.6x80°H	120	41	5½	11.0	0
TRO 20/25	Inter 2011	PL10/5/19/10	0.75x80°H	140	53	7½	11.5	0
TRO 28/32	Inter 2011	PL10/8/10/6/19/10	1.00x80°H	140	67	7	11.5	0



SUNTEC AS47C
OIL PUMP DETAILS



DANFOSS BFP
OIL PUMP DETAILS



ELECTRODE SETTING