



**TRIANCO**

CAST IRON ROOM SEALED BOILER

**TRO EVOLUTION COMBI  
FOR OUTDOOR INSTALLATIONS**

HIGH PERFORMANCE  
STAINLESS STEEL CONDENSER  
CAST IRON HEAT EXCHANGER  
POPYPROPYLENE FLUE OUTLET  
COMBI BOILER



The Heating Creators

**TRIANCO**, responding to the market needs regarding savings, ecology, ease of use and installation, has developed a new range of high performance oil boilers for outdoor installations achieving space savings on the inside of the house.

### **SAVINGS**

The boiler's high efficiency, certified according to European ERP directive, with a A rated energy qualification, guarantees the lowest fuel consumption in its category.

### **SILENT**

The effective acoustic insulation of the body and the boiler housing, as well as the use of an airtight burner, converts this boiler into one of the quietest on the market.

### **MODULATING DHW PRODUCTION**

TRO Evolution Combi boiler is equipped with a modulating DHW production system which lets us stabilize the DHW temperature and adjust the selection with the dial on the control panel, independently of the necessary water flow and the temperature of the incoming cold water at any time.

The modulation also allows the continuous adaptation of the power of the boiler and the requirements of hot water

consumption at any time, letting the boiler work at lower temperatures. This way, cold returns can be achieved and therefore low smoke temperatures even for producing hot water taking advantage of the latent heat to reduce consumption.

### **CAST IRON HEAT EXCHANGER**

The heat exchanger of the boiler is made of cast iron which ensures its long life.

## **12 year heat exchanger warranty**

IF TRIANCO MAGNETIC FILTER FITTED  
subject to terms and conditions

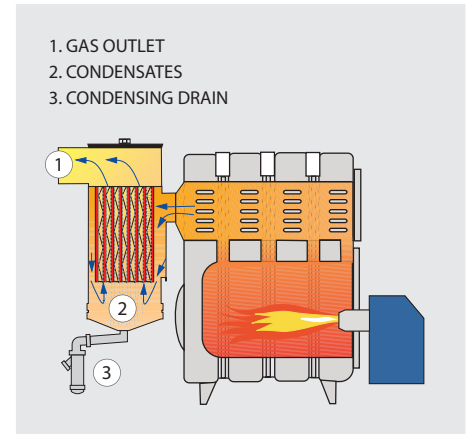


TRO EVOLUTION COMBI

## ECOLOGICAL

The TRO Evolution Combi permits the reduction of contaminating CO<sub>2</sub> emissions, contributing to the reduction of the greenhouse effect. Thanks to the condensation technology which takes advantage of the condensation effect, it is necessary to reduce the temperature of the combustion gases under the dew point.

The condenser is where the temperature reduction of the gases takes place. This condenser is specially designed to avoid unburned particles from the combustion sticking to the exchanger surface in the condenser, thus reducing maintenance costs.



## EASE OF USE

Ease of use has been a priority in the design of this boiler. As a result, the boiler comes with a highly intuitive control panel.

The control of the boiler is carried out with an electronic system which offers advantages of safety and working. Among these advantages we can highlight:

**Water pressure safety system:**

Avoids boiler breaks because of lack of water.

**Pump anti-blocking system:**

It reduces the maintenance of the circulation pumps

**Anti-inertia system:**

It has a post circulation system to prevent boiler overheating.

**Anti-freeze system:**

When the temperature of the boiler goes below 6° C , the boiler is activated even if it is switched off, to avoid problems in the system due to freezing.



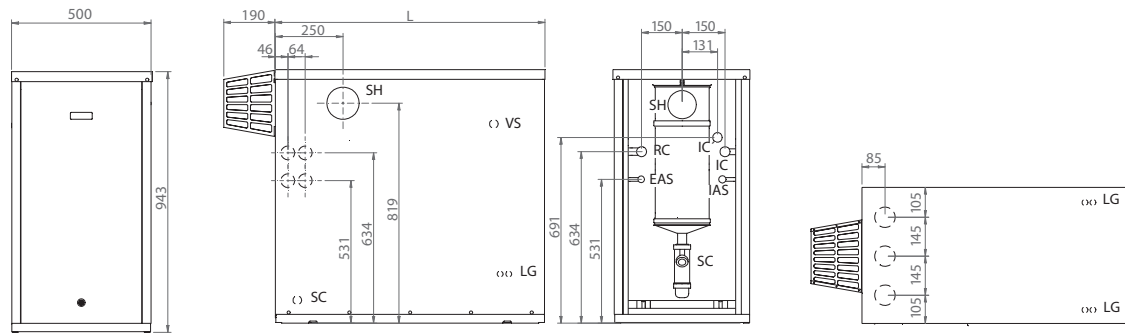
## REMOTE CONTROL (OPTIONAL)

Programmer and Room Thermostat enables user to:

- See boiler alarms.
- Adjust the working temperature.
- Adjust the DHW working temperature.
- Modulate the power of the boiler.
- Program the time of the boiler and the DHW.
- Connect with cable.



DIMENSIONS

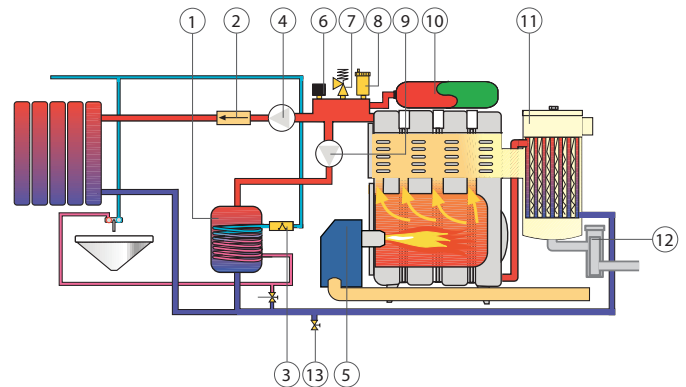


Model	IC, RC	EAS, IAS	L
TRO EVOLUTION 30 COMBI	3/4" F	1/2"	1000
TRO EVOLUTION 40 COMBI	3/4" F	1 1/2"	1100

IC: Heating outlet.  
 RC: Heating return.  
 EAS: Domestic cold water inlet.  
 IAS: Domestic hot water outlet.  
 V: Safety relief valve.  
 SH: ø100 Smoke outlet.  
 SC: Condensation outlet.

EQUIPMENT

1. Coil Heat Exchanger	13. Drain valve
2. Heating check valve	Telephonic relay connection
3. Flowswitch	DHW flow limit
4. Heating pump	Pump anti-blocking
5. Sealed oil burner	Minimum pressure limit
6. Pressure relief valve	Anti-freeze
7. Safety relief valve	DHW Modulation
8. Automatic air vent	<b>OPTIONS</b>
9. DHW pump	E20 remote control (wire connection)
10. Heating expansion vessel	Outdoor sensor for E20
11. Condenser	Flue duct accessories
12. Condensation outlet	



Model	Heating Output kW 50° C / 30° C	Heating Output kW 80° C / 60° C	DHW Production L/Min		Heating efficiency class	DHW efficiency class	DHW profile
	kW	kW	ΔT30°C	ΔT25°C			
TRO EVOLUTION 30 COMBI	30.2	28.7	12.8	15.4	A	A	XL
TRO EVOLUTION 40 COMBI	40.5	38.7	17.8	21.4			XL



TR ENGINEERING LIMITED  
 Thorncliffe, Chapeltown  
 Sheffield S35 2PH

Telephone: +44 (0)114 257 2300  
 Fax: +44 (0)114 257 1419

info@trianco.co.uk  
 www.trianco.co.uk