



TRIANCO

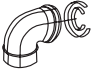



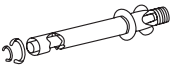


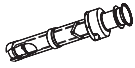
FLUE GUIDE

INSTALLATION FOR AIR INTAKE AND
EXHAUST FUMES

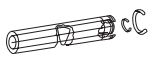


BALANCED FLUE

POLYPROPYLENE (Ø 80/125)

							
PRODUCT CODE	FG1124	FG1125	FG1126	FG1127	FG1128	FG1130	
DESCRIPTION	90° elbow	45° elbow	Extension flue kit 1 m	Extension flue kit 0,5 m	Horizontal flue exhaust duct kit	Pipe adapter Stainless steel	
PRICE	£ 148	£ 124	£ 160	£ 116	£ 160	£ 236	
							
PRODUCT CODE	FG1132	FG1129					
DESCRIPTION	Reducer 100 M / 80 H	Vertical flue exhaust kit					
PRICE	£ 180	£ 312					

STAINLESS STEEL (Ø 80/125)



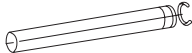
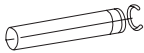

							
PRODUCT CODE	FG1150	FG1152	FG1151	FG1153	FG1154	FG1155	FG1157
DESCRIPTION	Vertical flue ex- haust duct kit 1 m Stainless Steel	90° elbow Stainless Steel	45° elbow Stainless Steel	Extension flue kit 1 m Stainless Steel	Extension flue kit 0,5 m Stainless Steel	Horizontal flue exhaust duct kit Stainless Steel	Pipe adapter Stainless Steel
PRICE	£ 824	£ 184	£ 144	£ 188	£ 116	£ 276	£ 232



SINGLE WALL



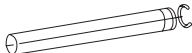

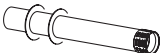


POLYPROPYLENE

Installation for air intake only (Ø80)

							
PRODUCT CODE	FG1138	FG1140	FG1142	FG1144	FG1148		
DESCRIPTION	45° elbow	90° elbow	Tube 1m	Tube 0,5m	Clamp for wall		
PRICE	£ 28	£ 36	£ 40	£ 32	£ 20		


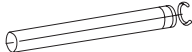
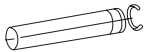

POLYPROPYLENE

Installation for exhaust fumes only (Ø100)

							
PRODUCT CODE	FG1139	FG1141	FG1144	FG1145	FG1146	FG1149	FG1147
DESCRIPTION	45° elbow	90° elbow	Tube 1m	Tube 0,5m	Horizontal Deflector	Clamp for wall	Vertical Deflector
PRICE	£ 44	£ 52	£ 80	£ 56	£ 124	£ 24	£ 56


STAINLESS STEEL

Installation for air intake only (Ø80)

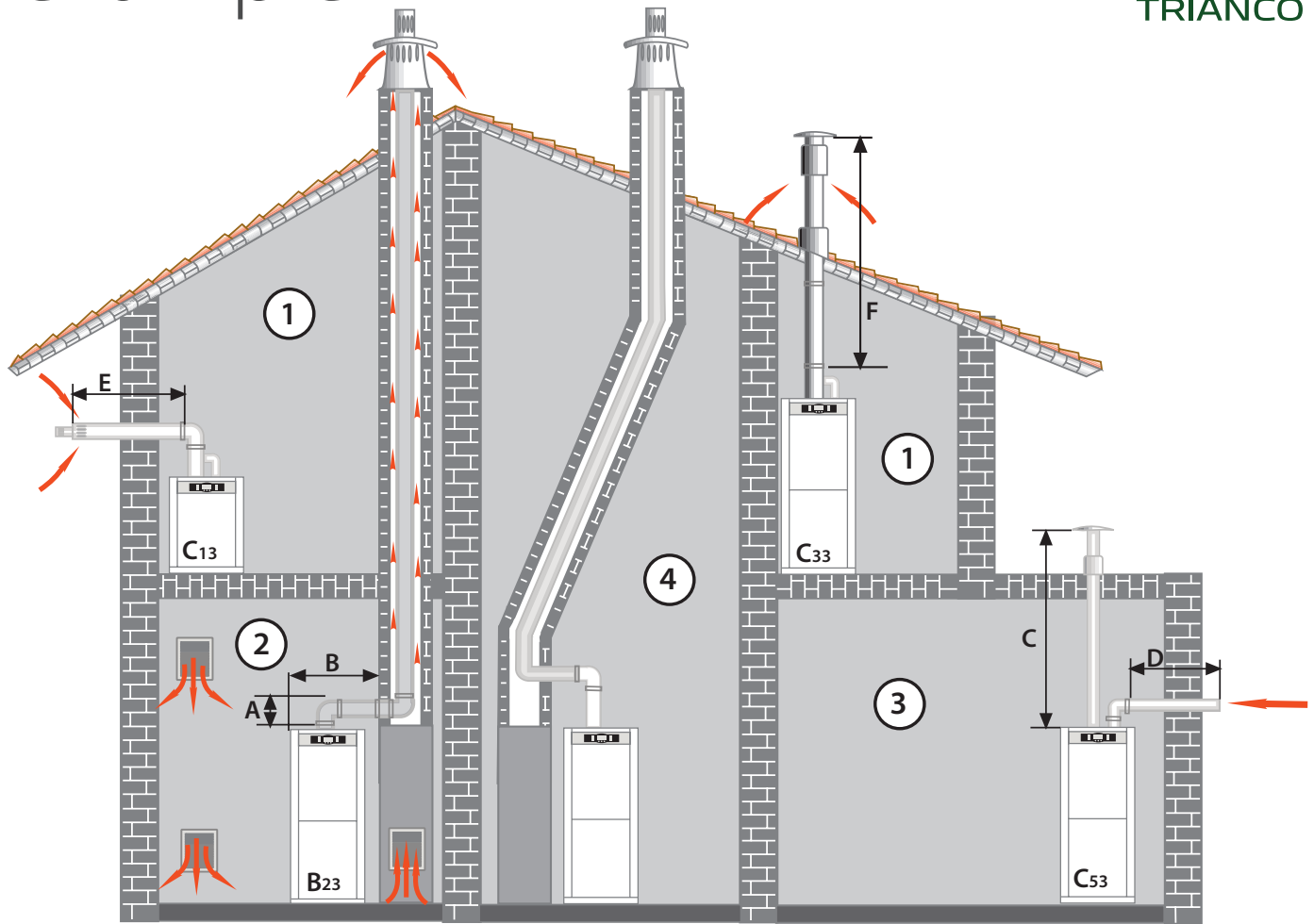
							
PRODUCT CODE	FG1159	FG1160	FG1161	FG1162	FG1148		
DESCRIPTION	45° elbow Stainless Steel	90° elbow Stainless Steel	Tube 1m Stainless Steel	Tube 0,5m Stainless Steel	Clamp for wall Stainless Steel		
PRICE	£ 40	£ 48	£ 76	£ 44	£ 20		

STAINLESS STEEL

Installation for exhaust fumes only (Ø100)

							
PRODUCT CODE	FG1131						
DESCRIPTION	90° elbow Stainless Steel						
PRICE	£ 22						

Installation example



Flue duct configuration for oil fired heating boilers

Condensing Boilers

① model	Ø 80 / 125 max. length	
	E (m)	F (m)
Evolution EV 20	8	10
Evolution EV 30	6	7

Note: A 90° elbow or two 45° elbows equal to 1 m.

③ model	max length C+D
Evolution EV 20	15 m Ø100
Evolution EV 30	15 m Ø100
Evolution EV 40	12 m Ø100

Note: A 90° elbow or two 45° elbows equal to 1 m.
One horizontal meter equals to two metres



TR ENGINEERING LIMITED
Thorncliffe, Chapeltown
Sheffield S35 2PH

Telephone: +44 (0)114 257 2300
Fax: +44 (0)114 257 1419

info@trianco.co.uk
www.trianco.co.uk