



TRIANCO

CAST IRON ROOM SEALED BOILER
TRO EVOLUTION HEAT ONLY OUTDOOR
FOR OUTDOOR INSTALLATIONS



HIGH PERFORMANCE
STAINLESS STEEL CONDENSER
CAST IRON HEAT EXCHANGER
POLYPROPYLENE FLUE OUTLET



The Heating Creators

TRIANCO, responding to the market needs regarding savings, ecology, ease of use and installation, has developed a new range of high performance oil boilers for outdoor installations achieving space savings in the inside of the house.

SAVINGS

The boiler's high efficiency, certified according to European ERP directive, with an A rated energy qualification, guarantees the lowest fuel consumption in its category

SILENT

The effective acoustic insulation of the body and the boiler housing, as well as the use of an airtight burner, converts this boiler into one of the quietest on the market

CAST IRON HEAT EXCHANGER

The heat exchanger of the boiler is made of cast iron which ensures its long life.

12 year heat exchanger warranty

IF TRIANCO MAGNETIC FILTER FITTED
subject to terms and conditions

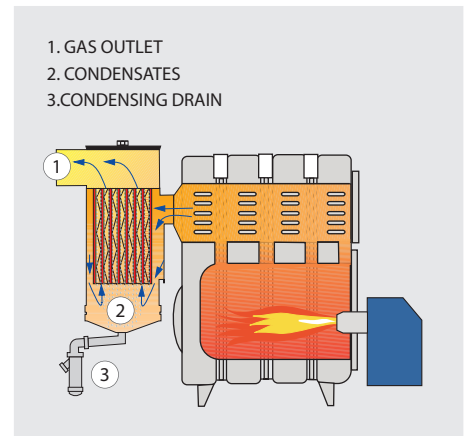


**TRO EVOLUTION HEAT
ONLY OUTDOOR**

ECOLOGICAL

The TRO Evolution Heat Only Outdoor permits the reduction of contaminating CO₂ emissions, contributing to the reduction of the greenhouse effect. Thanks to the condensation technology which takes advantage of the condensation effect, it is necessary to reduce the temperature of the combustion gases under the dew point.

The condenser is where the temperature reduction of the gases takes place. This condenser is specially designed to avoid unburned particles from the combustion sticking to the exchanger surface in the condenser, thus reducing maintenance costs



EASE OF INSTALLATION

This boiler is designed to be installed outdoors. In its design, the quality of the exterior panel materials has been carefully chosen, as well as its waterproofing so they can put up with inclement weather conditions.

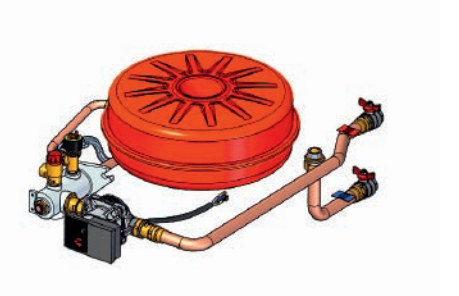
A simple but versatile equipment permits a simple and a fast adaptation to any kind of installation. It can be installed with polypropylene flue ducts, which makes installation simple and thus reducing costs.



OPTIONS

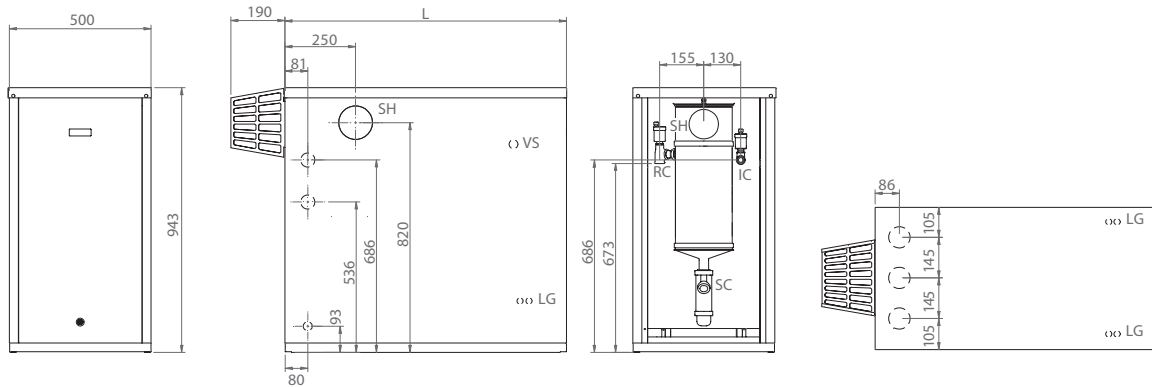
Equipment:

- Check valve
- High efficiency pump
- Expansion vessel
- Safety relief valve
- Filling valve
- Pressure switch



SYSTEM KIT

DIMENSIONS



MODELS	IC, RC	L
TRO EVOLUTION 20 HEAT ONLY OUTDOOR	3/4"H	900
TRO EVOLUTION 30 HEAT ONLY OUTDOOR	3/4"H	1000
TRO EVOLUTION 40 HEAT ONLY OUTDOOR	3/4"H	1100

IC: Heating outlet
 RC: Heating return
 VS: Safety relief valve outlet
 SH: Ø100 Smoke outlet.
 SC: 25 mm Condensation outlet
 LG: Oil hoses

EQUIPMENT

- Automatic air vent
- Sealed burner
- EPOXY painted watertight panels
- Cast Iron Heat Exchanger
- Condensation collector siphon
- Control panel:
 - Anti-inertia thermostat
 - Anti-freeze thermostat
 - Thermo hydrometer
 - On/off light switch
 - Safety thermostat
 - Regulation thermostat

OPTIONS

- TRO EVOLUTION HEAT ONLY OUTDOOR System kit
- Check valve
- Circulation pump
- Expansion vessel
- Safety valve
- Filling valve
- Pressure switch

Model	Heating Output kW		Heating ErP qualification
	50°C / 30°C	80°C / 60°C	
TRO EVOLUTION 20 HEAT ONLY OUTDOOR	20.3	19.1	A
TRO EVOLUTION 30 HEAT ONLY OUTDOOR	30.2	28.7	
TRO EVOLUTION 40 HEAT ONLY OUTDOOR	40.5	38.7	



TR ENGINEERING LIMITED
 Thorncliffe, Chapeltown
 Sheffield S35 2PH
 Telephone: +44 (0)114 257 2300
 Fax: +44 (0)114 257 1419
 info@trianco.co.uk
 www.trianco.co.uk