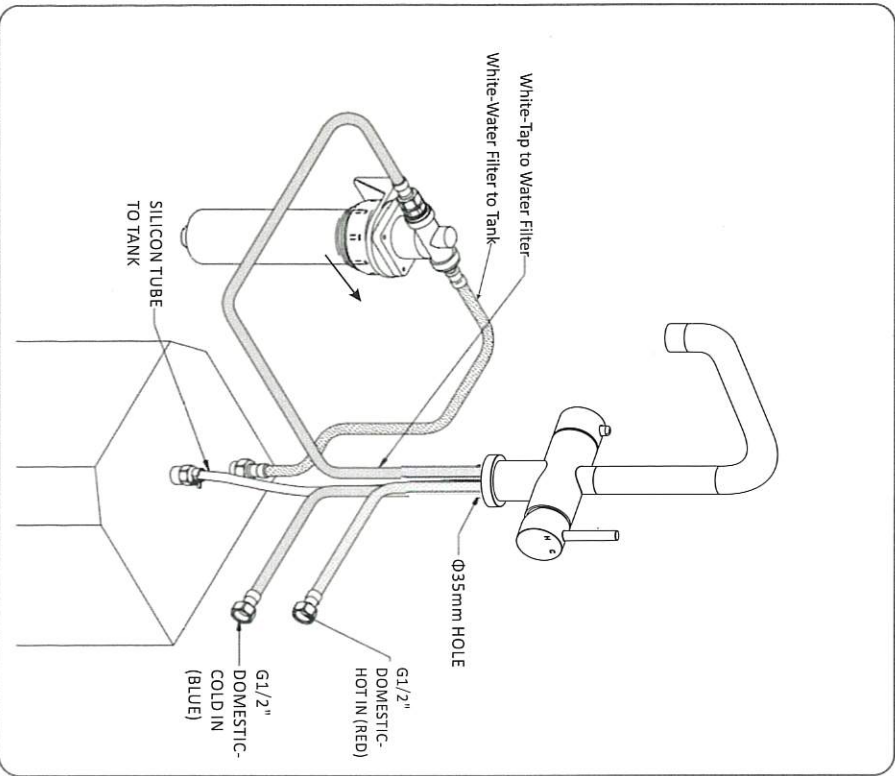
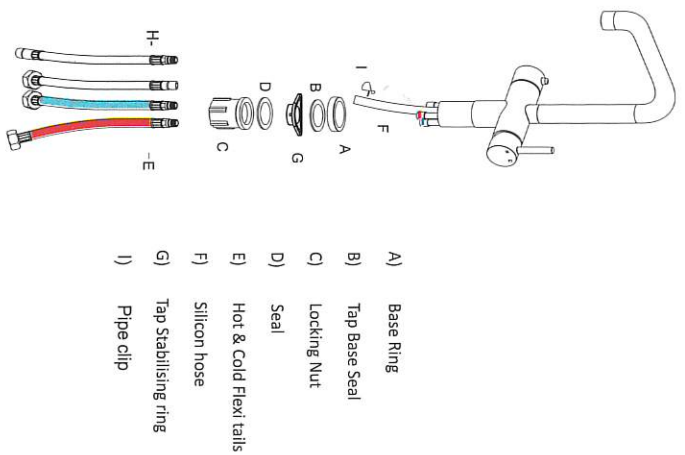


Congratulations on the purchase of your new 3 in 1 Sink Mixer Tap with Instant Hot Water. When correctly installed and maintained with care, this tap should give you many years of trouble free service. Please read and fully understand all installation instructions before starting to install and use this appliance. If in doubt contact a qualified plumber or retailer to assist. Please ensure that the recommended Aqualogic NT Instant Hot Water Tank is used with this tap. Do not plug in the Instant Hot Water Tank, until all water connections have been made and checked for being water tight and the Instant Hot Water Tank must be filled with water. The Instant Hot Water Tank is filled once water starts to pass out of the tap spout. It is recommended before using the tank, to flush through several litres of water to remove any air in the system when installing. Please note that in order to avoid having pressurised boiling water and to comply with UK Byelaws, this is an open vented system. In order to ensure the Instant Hot Water Tank continues to deliver the highest quality drinking water and is protected from lime scale build-up, the water filter must be replaced every 6 months-failure to do so may invalidate your product warranty.

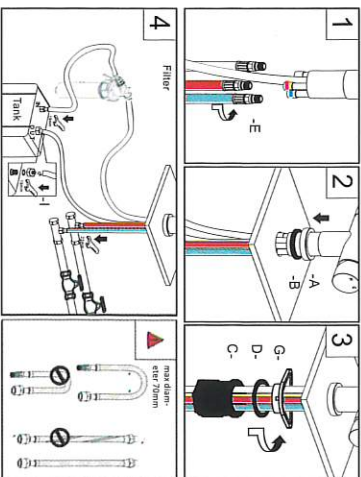


Should you require any advice on the installation then please seek guidance from your Retailer or a Qualified Plumber.

H) Flexi Tail Connectors
White-Tap to Water Filter
White-Water Filter to Tank.



- (i) The tap needs a $\Phi 35\text{mm}$ diameter hole to install into sink or work-top.
- (ii) Feed the flexible connections through the work surface hole $\Phi 35\text{mm}$, ensuring the base seal is in place between tap and mounting surface.



- (iii) Ensure the tap is orientated correctly i.e. The spout fixing screw should be at the back. The hot water lever should rotate to point backwards.
- (iv) Secure the tap in position using the locking nut.

Avoid kinking tubes during installation as this could restrict flow and cause malfunctioning of appliance. Do not use pipe sealing compounds on any connections. These can foul the internal mechanics and may cause objectionable taste and odour.

Plumbing connections must comply with all sanitary, safety and plumbing standards.

Installation & User Guide for

3 in 1 Sink Mixer Tap with Instant Hot Water

How to use your 3-1 Sink Mixer Tap with Instant Hot Water:

- (i) For Instant Hot Water depress the small button on left hand side of the tap. Keep the button pressed down and rotate the handle backwards to dispense instant hot water from the tap.
- (ii) For mixed water, pull large lever on right side away from the body, then rotate backwards for mains hot & forwards for mains cold water dispensing.

Regulations Requirements :

It is important to ensure that the water supplies to your tap, is connected in accordance with the water regulation requirements, plumbing code and good plumbing practice.

It is good plumbing practice that the supplies of hot and cold water to the tap are equal (balanced) pressure in order to provide a consistent flow. Water Supplies should be from a common source, either mains or tank fed. If supplies are not equal pressures then a Non Return Valve (Check Valve) should be fitted on the hot inlet.

Water Supply Pressures :

This tap has been designed to function under the following conditions.

- Minimum supply pressure for cold water is 1.5 bar -Maximum supply pressure 5 bar (although we only recommend a maximum supply pressure of 2.5 bar)
- Should excessive pressure be experienced, then it is recommended to install a Pressure Reducing Valve.

Important :

Care and Maintenance of the Tap:

Only clean the tap with a soft cloth, warm water and a mild detergent solution. Rinse the tap clean thoroughly afterwards with water. Do not use any abrasive or harsh chemical products; otherwise this will invalidate your guarantee.

These instructions are only intended as a guide, if there is any doubt then contact a certified plumber or service agent and avoid using the Instant Hot Water System until it has been checked.

